

SKU: DBFL129

ECO-FRIENDLY IPAD STAND

# USER GUIDE

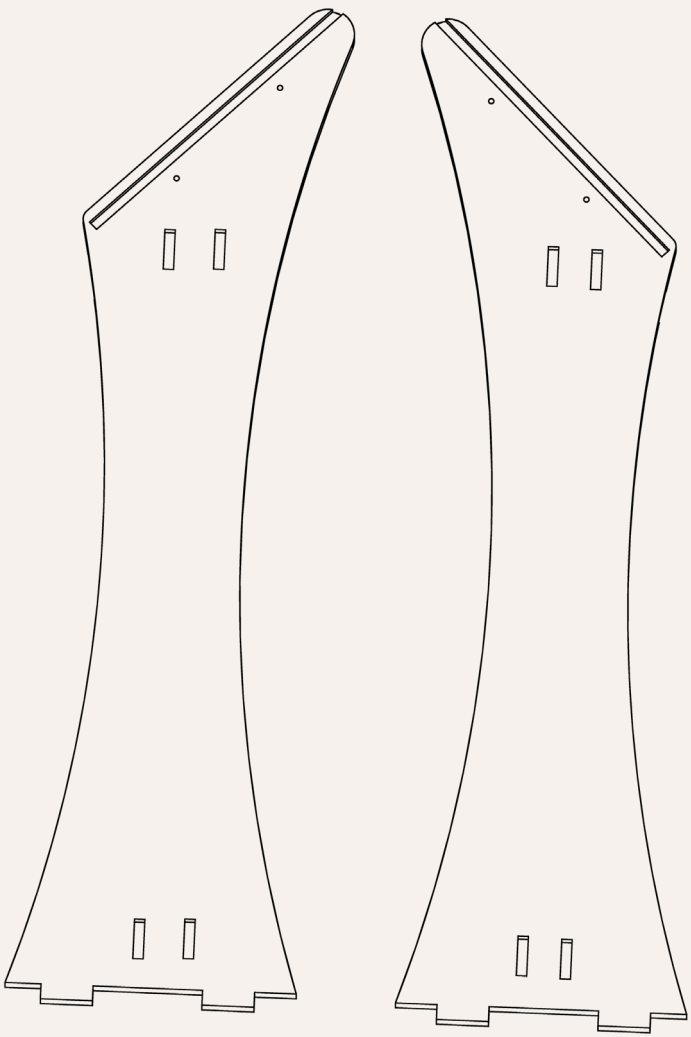
# DANDELION

RESPONSIBLY CREATING BETTER PRODUCTS FOR A BETTER WORLD

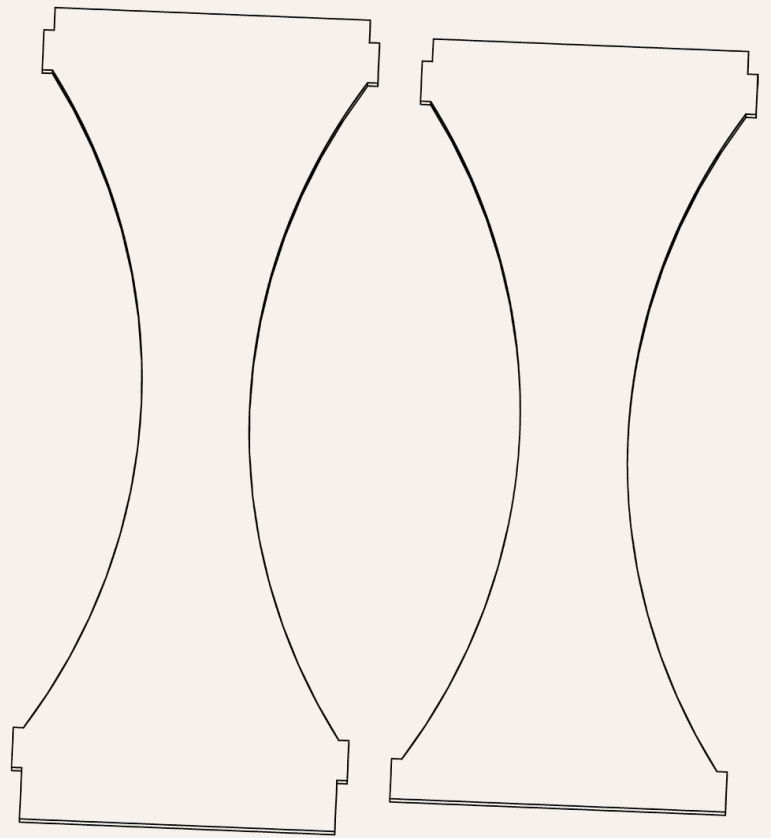


# Table of Contents

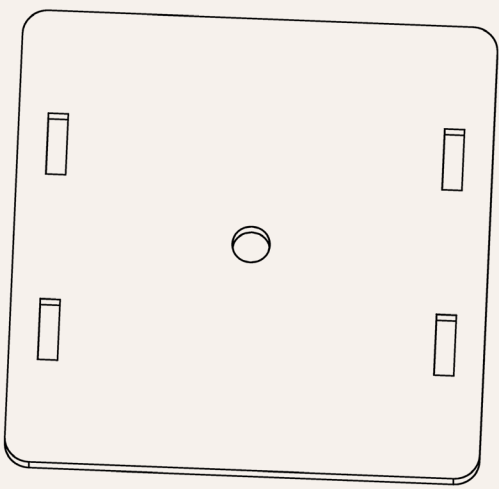
## USER GUIDE



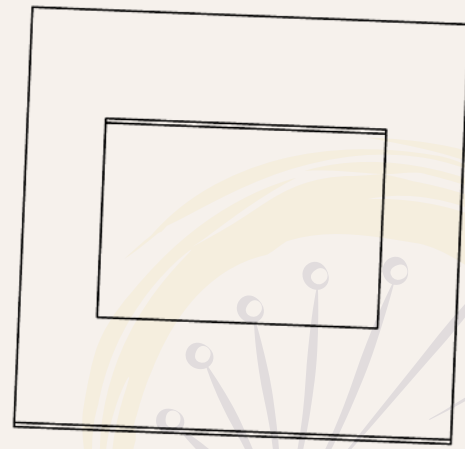
A. Side Panel x2



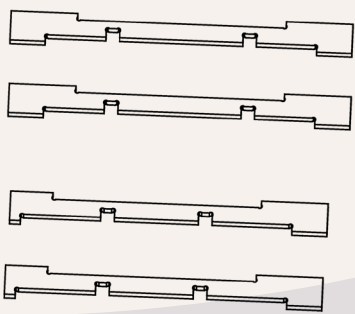
B. Middle Panel x2



C. Base X1



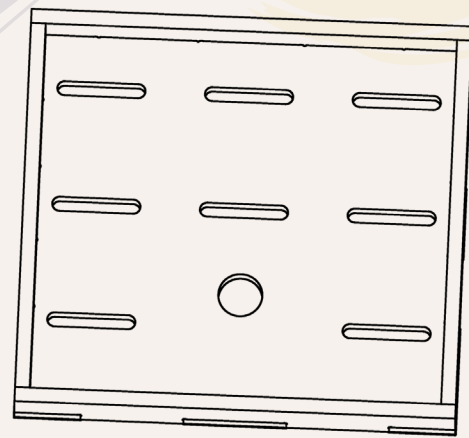
D. iPad Cover x1



E. iPad Adapter X1

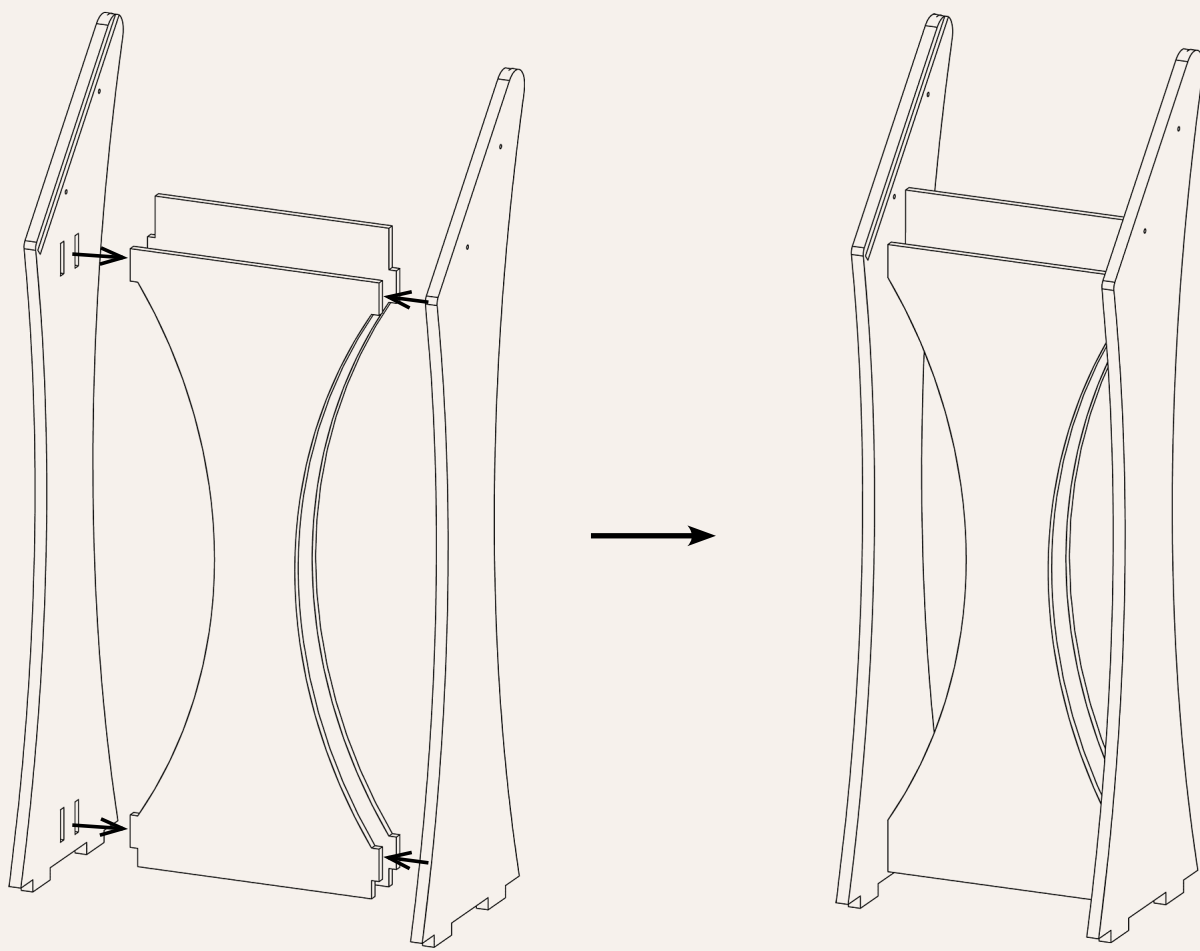


G. Screw and Nut Set x4

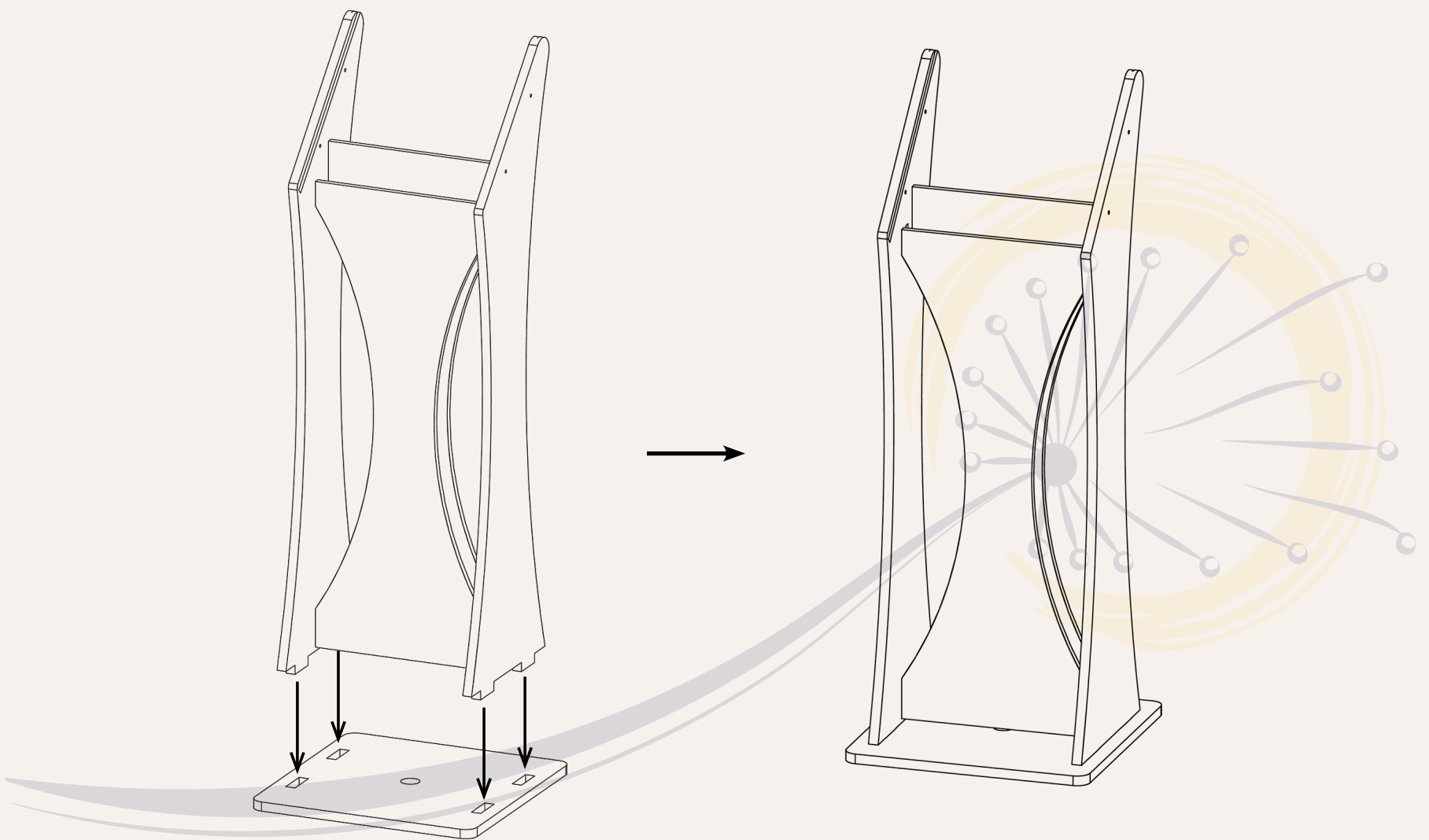


F. iPad Enclosure x1

# PARTS DIAGRAM

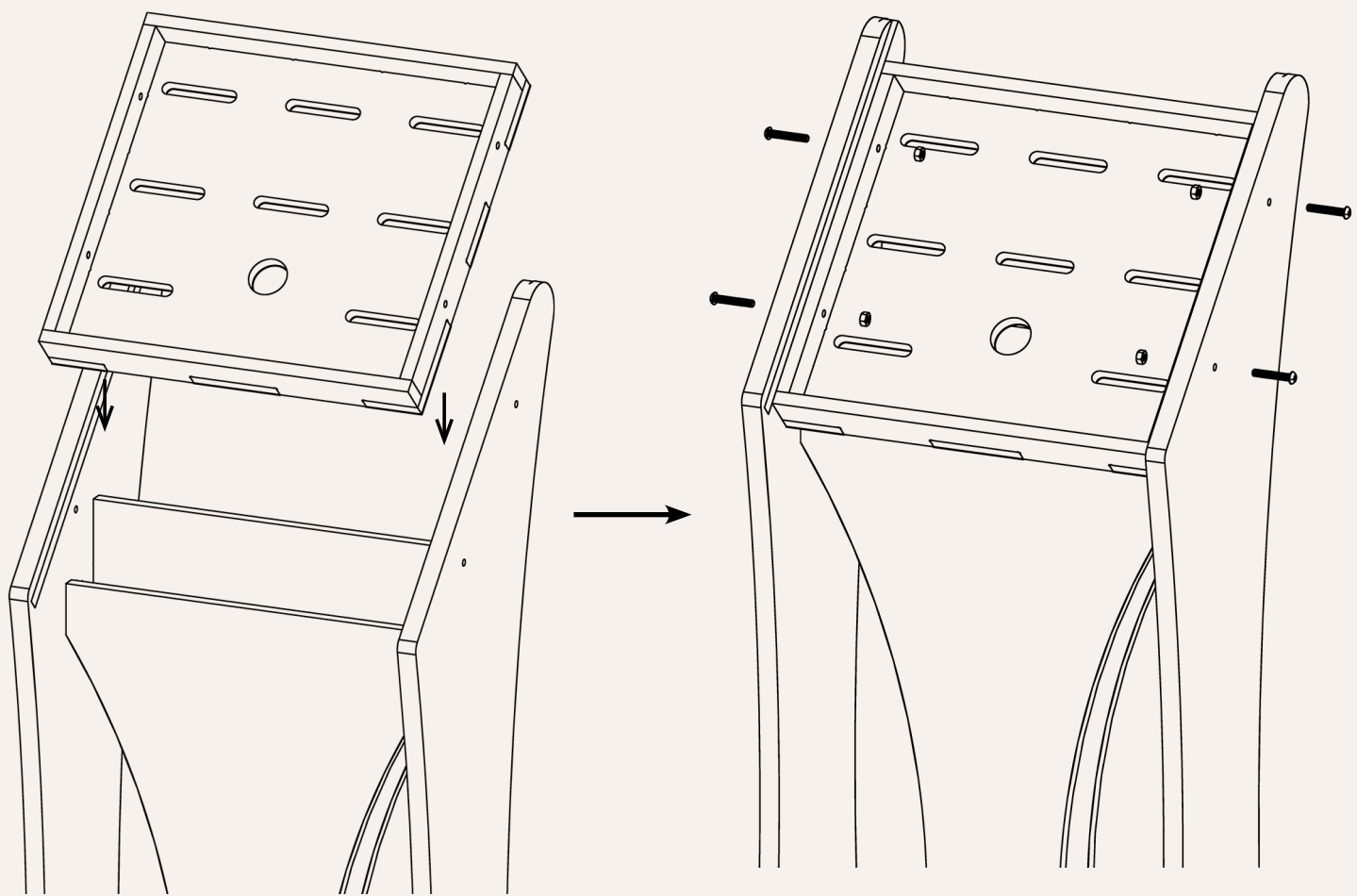


1. Sandwich two middle panels (B) with two side panels (A).

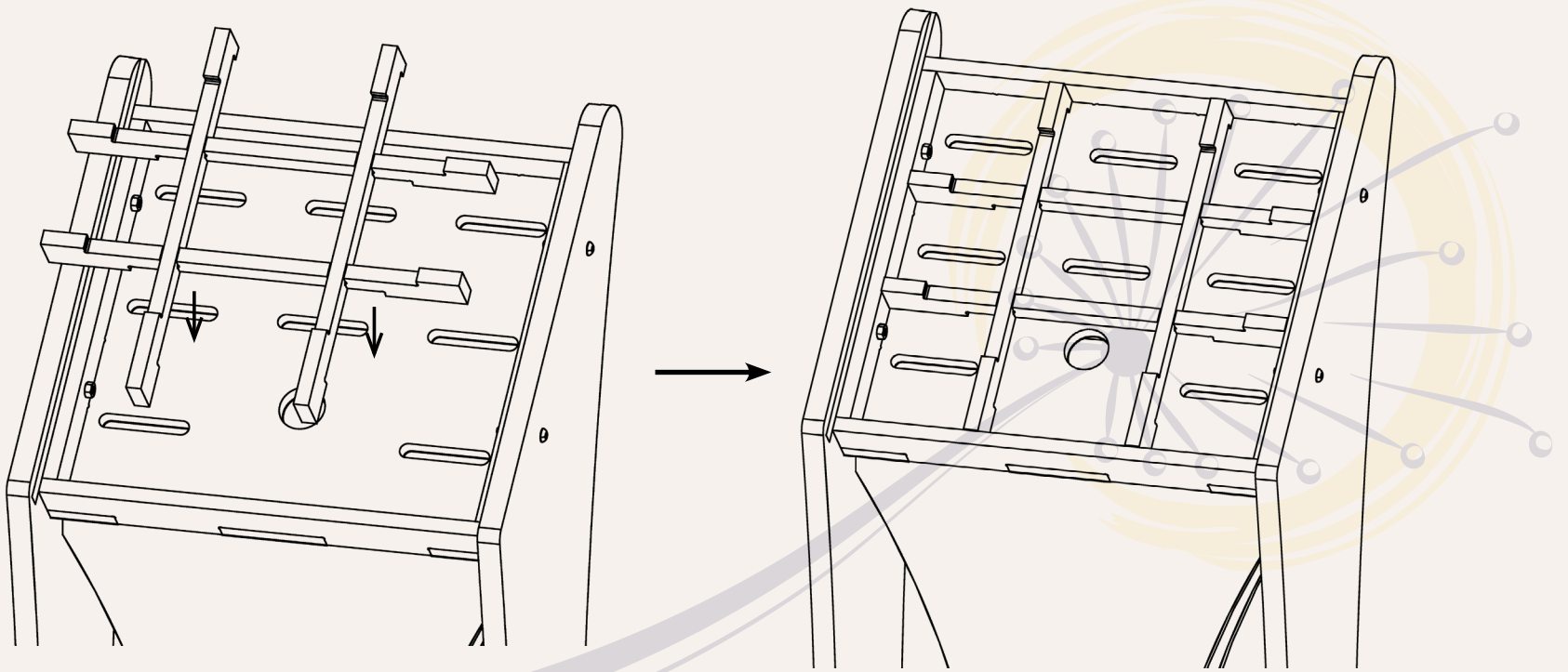


2. Secure the assembled body to the base (C).

# ASSEMBLY INSTRUCTIONS



3. Place iPad enclosure (F) in between side panels and align pre-drilled holes. Use screws and hex nuts (G) to fix the enclosure.

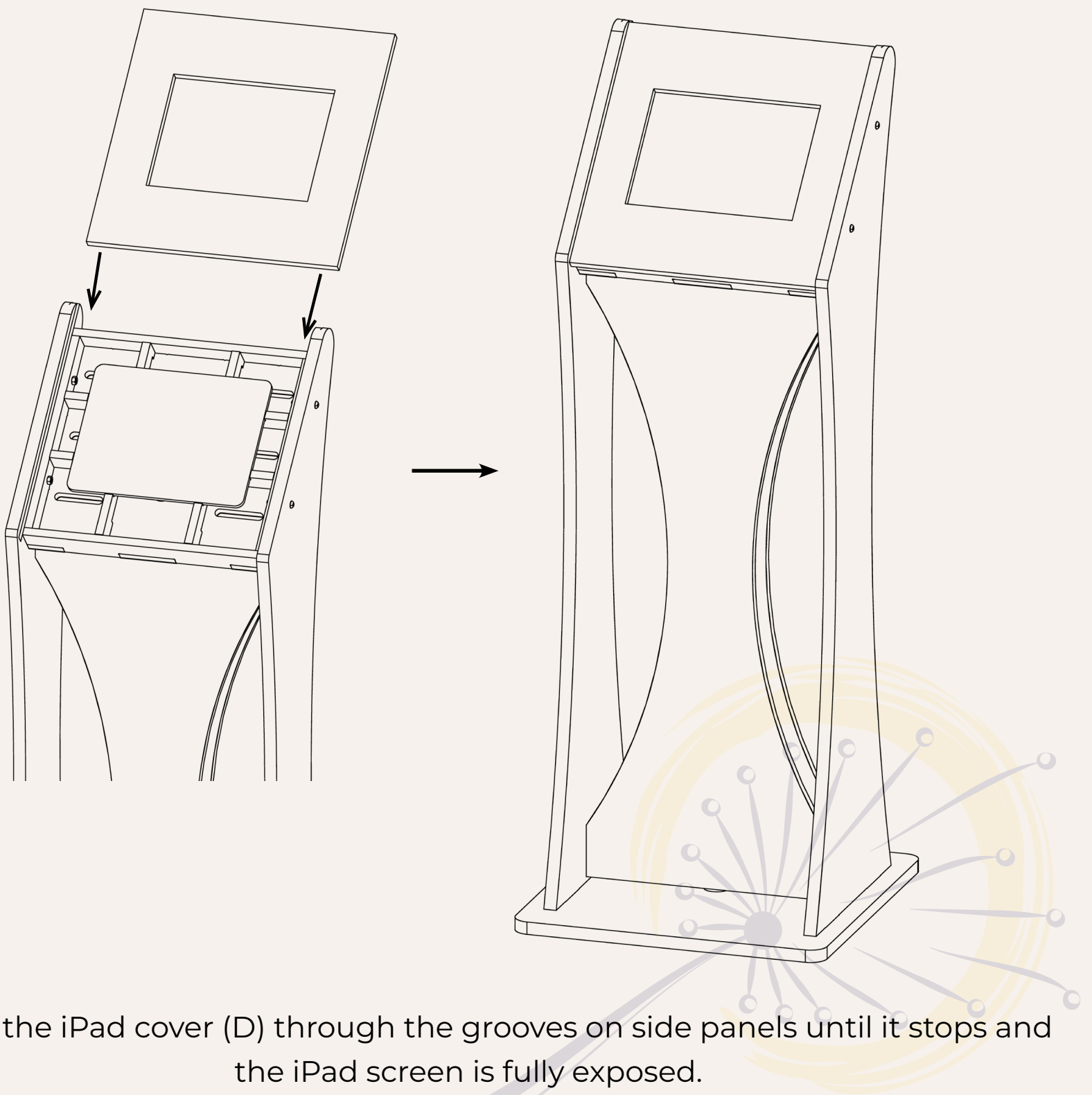


4. Connect the adapter and place it inside the enclosure.

Note: The adapter allows your tablet (not included) to be displayed in either portrait or landscape. Flip the back side to the front to set the tablet in another orientation.

# ASSEMBLY INSTRUCTIONS

5



5. Slide the iPad cover (D) through the grooves on side panels until it stops and the iPad screen is fully exposed.

Tips:

1. The cover can be rotated 90° to match the iPad orientation.
2. Connect the power supply cable to your iPad and route it through the holes in the enclosure and in the base.

# ASSEMBLY INSTRUCTIONS

THANK YOU FOR SPREADING  
THE SEEDS OF SUSTAINABILITY  
AND HELPING TO PROTECT  
OUR PLANET.



HAVE A QUESTION? GET IN TOUCH WITH  
OUR DANDELION REPRESENTATIVES AT:  
888-257-6639

**CONTACT US**

**7**